

Pedestal Type

New Dental Chair "CLAIR"



The newly designed pedestal type cuspidor unit has no umbilical; this eliminates the need for a utility box, contributing to a tidier appearance and easier cleaning.

CLAIR Dental Chair

New, folding legrest dental Chair



The ergonomic, AXIS mechanism backrest supports the patient comfortably and accommodates the natural movements of the patient's body.



The axis power headrest adjusts smoothly and holds the patient's head for optimum viewing of the oral cavity.



Twin Axis headrest
(option)

The CLESTA II Pedestal type dental unit is paired with our latest folding legrest chair, the CLAIR, reflecting our utmost dedication to product excellence and our aim to meet and exceed the needs of the new generation of dental clinics.

The CLESTA II Pedestal dental unit is offered in the Over the Patient type and in the Split Cart type; configured with Holder, Place, or Rod instrument delivery systems, the CLESTA II allows the dentist to fully utilize any techniques.


This new dental unit and chair pairing offers a variety of combinations to choose from. These choices make it not only possible to improve working efficiency, but also to enhance the atmosphere and ambiance of a dental practice.

Seamless upholstery with Soft-Touch fabric and smooth and quiet movement provide a serene environment for the patient.




CLAIR Chair
Initial height : 450mm(500mm EU spec.)
Stroke : 265mm


The Joystick switches enable the operator to position the patient quickly and accurately, keeping hands free and clean.



Slim, yet comfortable backrest enables easy access to the patient.

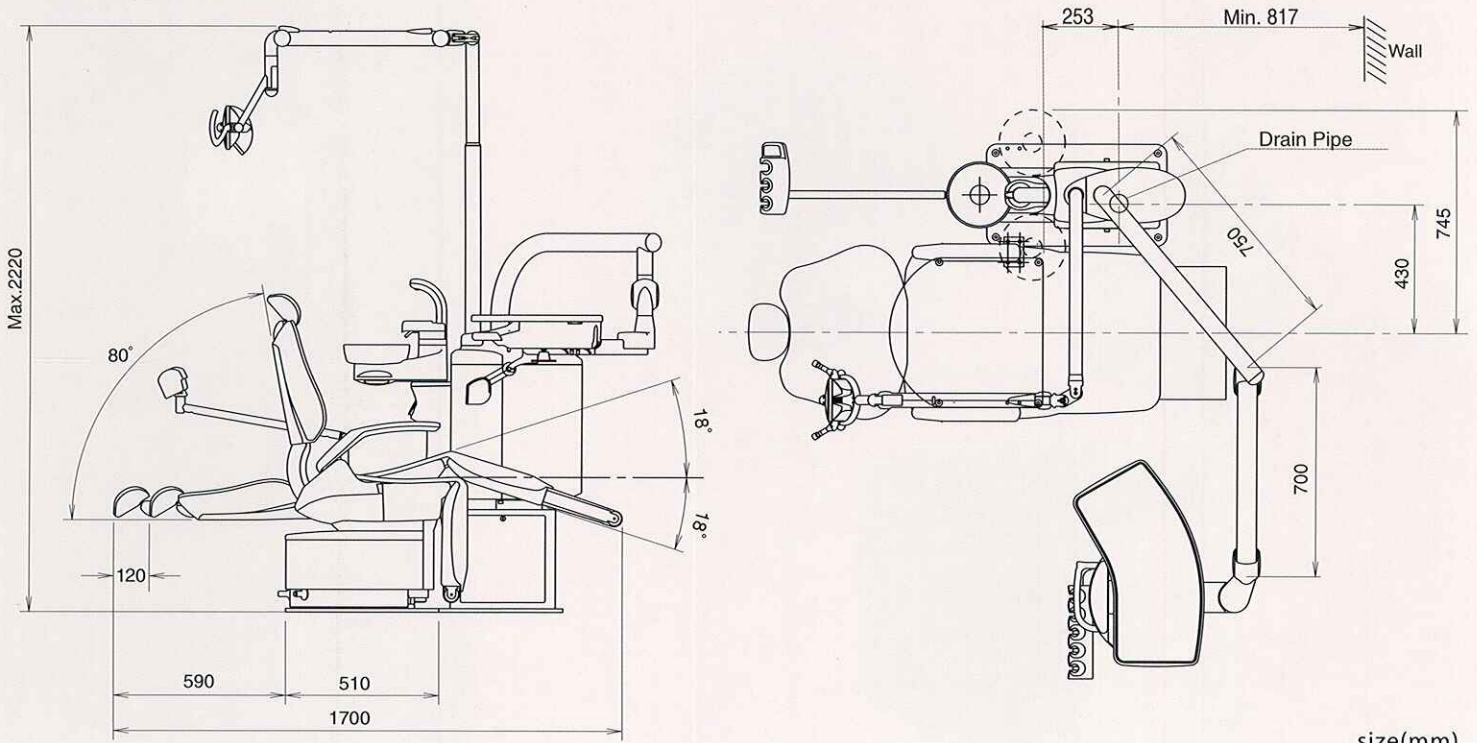


Swing-out armrest allows the elderly, the handicapped, and others in wheelchairs to get on and off safely and easily.



Dimensions(Scale 1:25)

Pedestal Type



size(mm)

The manufacturer reserves the right to alter specifications with or without prior notice.



TAKARA BELMONT CORPORATION

2-1-1, Higashishinsaibashi, Chuo-ku, Osaka, 542-0083, Japan

Tel: +81 (0) 6 6213 5945 Fax: +81 (0) 6 6212 3680

www.takara-net.com

BOOK NO. D-003